

Technical Data Sheet Of AISG Cable

Model specification

Name	Factoty	Model	Standards
AISG Cable	BEDE	BEDE-AISG-CB018	RoHS

Purpose and scope of application

Purpose

This technical specification specifies the uniform requirements for electrical and mechanical performance parameters of the company's outsourced cable assemblies.

Scope of application

- 1, For the connection between RRU and RCU.
2. Reference and reference to the relevant standard AISG 2.0.
- 3, General requirements

Product composition

One end of the cable assembly connector is AISG female, the other end is DB9 male, the total length of the cable is LM, and the cable sheath is black.

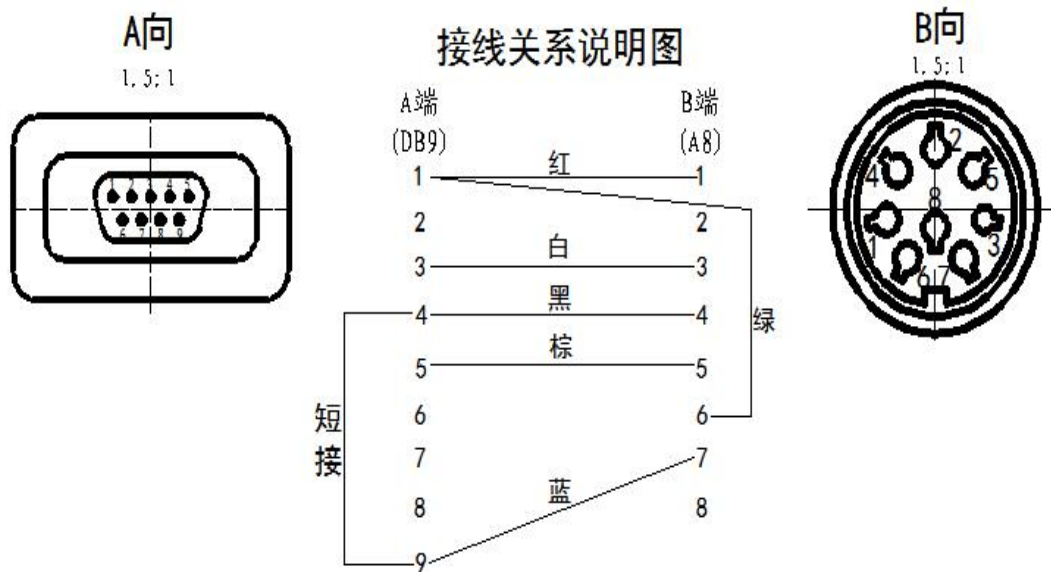
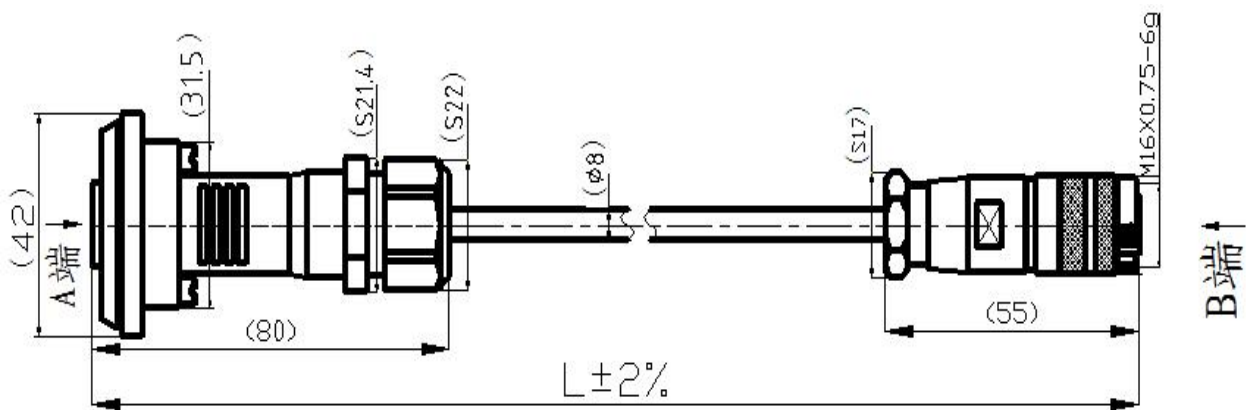
Product specifications

Standard impedance: $\leq 5m\Omega$
Frequency range: N / A
Working voltage: AC 250V
Length: 5 meters

Material and plating type

Outer conductor: HPb59-1
Center conductor: C5210 / stamped structure tail welded Ni50u " / Au3u"
Dust cap: PE
Insulator: PBT
Insulator: silicone rubber
Appearance, construction, size

The appearance of the cable assembly requires information such as the length of the cable assembly and the requirements for the appearance of the cable.



1, In the case of ensuring the electrical connection relationship, the line color and the number of lines are not mandatory.

2, DB9 terminal and wire connection need to be protected to avoid the risk of touching.

3, The DB15 connector housing is reliably connected to the cable shielding network, and the AISG connector housing is reliably connected to the cable shielding network.

DB15 plug requirements/General characteristics

Mechanical life: 500 times

Contact requirements: copper alloy QSn\ stamping structure tail welding

Protection requirements: IP67 (cannot expose waterproof rubber ring after docking with RRU equipment)

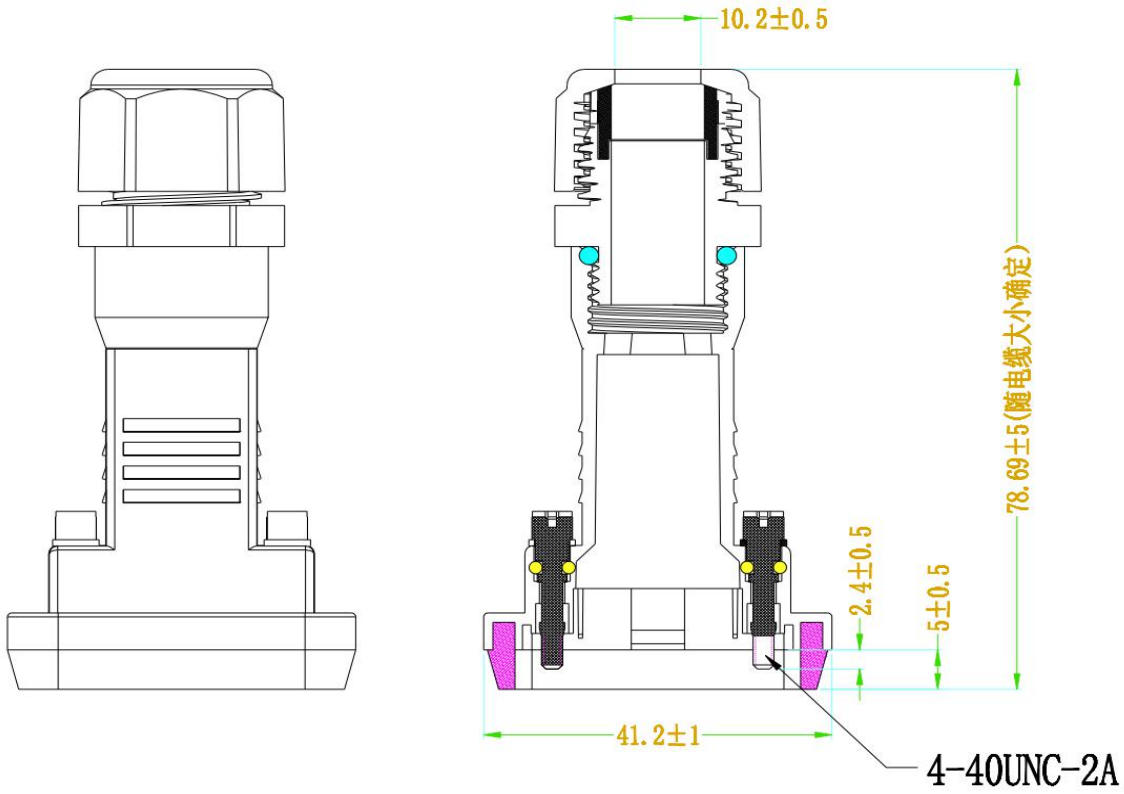
Installation form: cross and one-word compatible screw mounting

Screw material: stainless steel

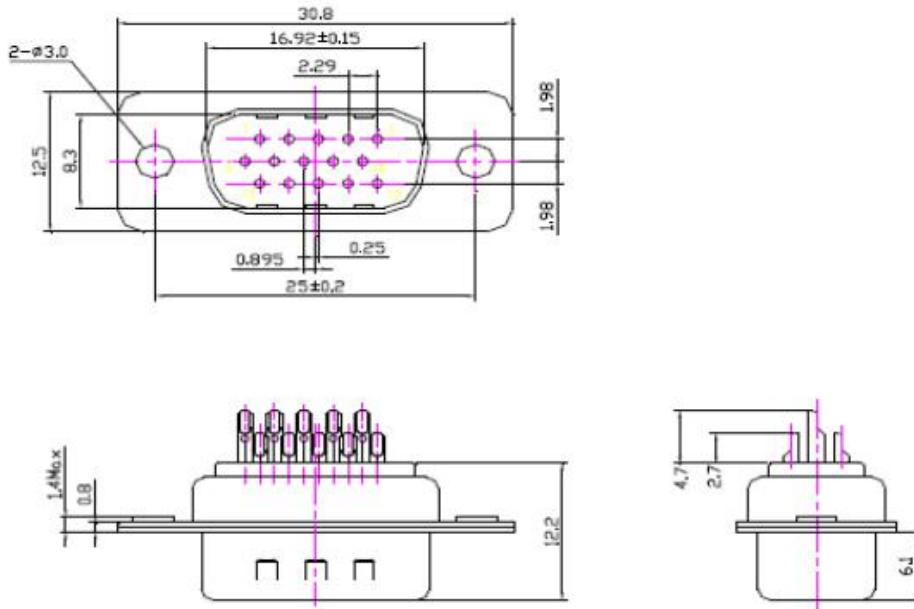
Waterproof at the screw: the seal is not visible after the screw is installed

Meet the UV resistance

Dimensions



1: 1403 系列 15PIN 插头



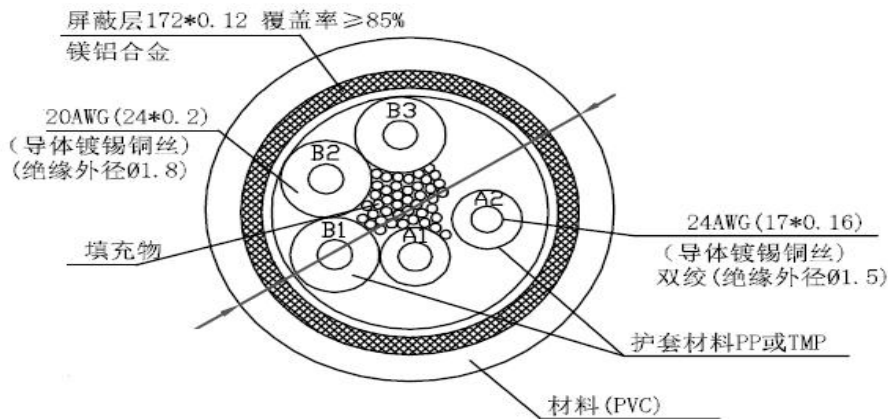
AISG Circular Connector Joint Requirements

NO	Name	Material	Plating
1	Outer Casing	Brass (HPb59/H62)	Nickel plating 2 μ m (Min)
2	Insulator	PBT/PET	/
3	Contact	Copper alloy QSn/stamped structure tail welding	Gold plated 0.1 μ m, (contact area, head 1.5mm)

Parameter

Name	Material	Plating
Plastic connector	PA66 UL94V-0	/
Size	41*22*25mm	/
Pinhole	brass	1.27 μ m Ni bottom, gold plated contact 0.02-0.03 μ m, fogging in the tail area Tin 2.5 μ m

installation	Screw
Size	30.8(A)*25(B)*12.5(C)*2.29 (D)
Pins No.	15
Button	/
Operating temperature	-55 $^{\circ}$ C ~ 125 $^{\circ}$ C
Rated voltage	/
Rated current	3A
Withstand voltage	1000VAC, 60s, 1mA
Insulation resistance	\geq 5000M Ω
Contact resistance	\leq 30m Ω
Contact form	welding
Lifetime	500 cycles
Storage conditions	Normal temperature and humidity, no corrosive gas environment
Storage time	5 years



Cable technical requirements

1 Cable structure size and main components of the material, please see the engineering drawings

2, Rated voltage: 300V

3, Preparation coverage: coverage rate \geq 85%

4, Data conductor type: 0.32mm (24AWG) twisted pair

Data conductor type: 0.75mm (20AWG) stranded strand

In the case of meeting the electrical connection requirements, the wire color and the number of wires are not mandatory.

Wire size see product specifications

Shielding material quality: magnesium alloy

Sheath material: PVC (anti-UV)

Colour: Black

5, Requires anti-UV standard: UL1581 1000 hours

6, The appearance of UV 1000 test does not appear white, no cracks, peeling, bumps and other undesirable phenomena

Environmental requirements

Temperature cycle: -40°C + 85°C (IEC 60068-1)

Fire rating: UL94-V0

Neutral salt spray: 168H

Package

There are product name, model, quantity, manufacturer's logo, inspection certificate of manufacturer's quality department, date of manufacture, etc.

Factory Address:98 Industrial Area,Zhongxin Rd.,Xinqiao Street,Bao'an District, Shenzhen,

China Office Phone:+8675527084976 Mobile:+8618938686395

Email:alicechu@szbede.com contact: Alice Chu